

# ActiveAhead Sense Rectangular Holder

## Sensor Accessory Series

Helvar



- Accessory for mounting the Active+ Sense and ActiveAhead Sense sensors to the luminaire
- Easy installation
- Suitable for either flush or surface mounting
- Sturdy structure, internal strain relief
- Available in white (5691)

## Package Contents

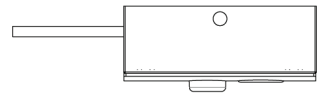
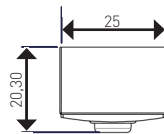
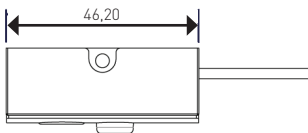
One set of ActiveAhead Sense Rectangular holder accessory kit consists of the following parts:

- 1 x Front cover
- 1 x Fixing case
- 1 x Strain relief
- 2 x screws (M3x10) for the strain relief

**Note:** Rectangular sensor holders are packed in bags of ten sets which also contains 1 x Installation Guide.

## Dimensions (mm)

Dimension tolerance  $\pm 0,1$  mm



## Materials and Conditions

### Material Specifications

Material Type	Polycarbonate
Fire Retardant	Yes
UV Protected	Yes
Colour	White, RAL 9016

Glow-wire flammability test (GWFI) 650°C (IEC 60695-2-12)

### Conformity and Standards

Luminaires - Part:General requirements and tests IEC 60598-1:ed.8 2014, EN 60598-1:2015

Compliant with relevant EU directives, when correctly installed in the luminaire.

CE marked, RoHS/REACH

Helvar | Data is subject to change without notice

### Operating and Storage Conditions

Ambient temperature range:  $-20$  °C to  $+50$  °C

Storage temperature range:  $-40$  °C to  $+80$  °C

**Note:** Do not store in wet or humid environment

Without any additional sealing the holder itself cannot be used to provide higher classification against ingress of dust or moisture.

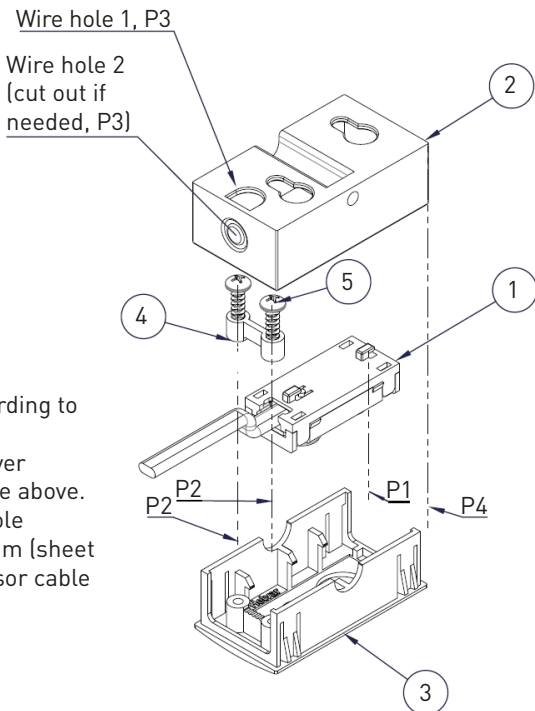
# Assembly Instructions



The ActiveAhead Sense Rectangular holder can be used to flush mount the Active+ Sense and ActiveAhead sensors or surface mount to the ceiling or the wall.

**Note:** Accessory not suitable for mounting of freeDim Sense sensor

1. Sensor
2. Fixing case
3. Front cover
4. Strain relief
5. M3x10 screws



## Steps (Flush Mounting)

1. Clip the sensor into the Front cover according to the Phase 1 (P1) in the figure above.
2. Attach the strain relief onto the Front cover according to the Phase 2 (P2) in the figure above.
3. Clip the Front cover into a rectangular hole with the dimensions of 23,2 mm x 44,0 mm (sheet thickness 0.5 - 1.0 mm), guiding the sensor cable through the hole first.

## Steps (Surface Mounting)

1. Clip the sensor into the Front cover according to the Phase 1 (P1) in the figure above.
2. Attach the strain relief onto the Front cover according to the Phase 2 (P2) in the figure above.
3. Screw the Fixing case onto the surface either through the holes on the bottom (positioning of the holes illustrated in the figure below), or along the slot through the fixing hole at the side of the case.
4. Pull the sensor cable with the connector through the wire hole of the Fixing case illustrated as Phase 3 (P3) in the figure above.
5. Clip the Front cover to the Fixing case according to the Phase 4 (P4) in the figure above.

